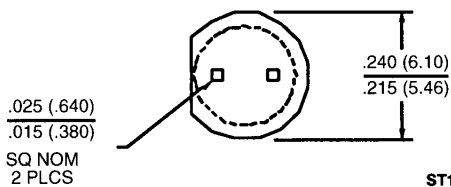
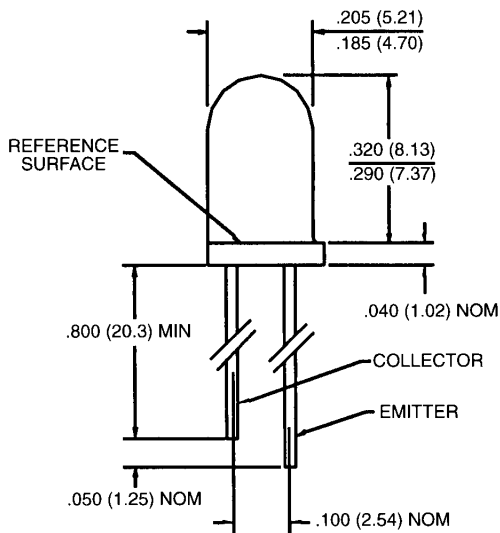


PACKAGE DIMENSIONS



ST1664

DESCRIPTION

The QSD128 is a phototransistor encapsulated in an infrared transparent, black T-1 $\frac{3}{4}$ package. The flat on the package indicates the collector lead.

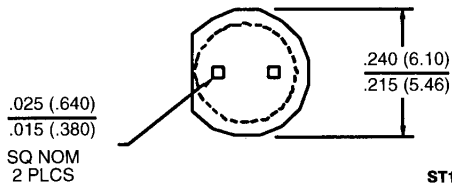
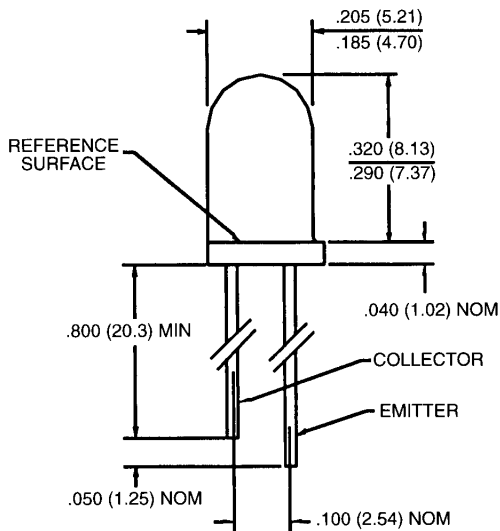
FEATURE

- Steel lead frames for improved reliability in solder mounting
- Good optical-to-mechanical alignment
- Narrow reception angle
- Plastic package is infrared transparent black to attenuate visible light
- Mechanically and spectrally matched to the QED123/222 LED
- Black plastic body allows easy recognition from LED
- Low cost

NOTES:

1. DIMENSIONS ARE IN INCHES (mm).
2. TOLERANCE IS $\pm .010$ (.25) UNLESS OTHERWISE SPECIFIED.
3. FLAT DENOTES COLLECTOR.

PACKAGE DIMENSIONS



ST1664

- NOTES:
1. DIMENSIONS ARE IN INCHES (mm).
 2. TOLERANCE IS $\pm .010$ (.25) UNLESS OTHERWISE SPECIFIED.
 3. FLAT DENOTES COLLECTOR.

DESCRIPTION

The QSD128 is a phototransistor encapsulated in an infrared transparent, black T-1 $\frac{3}{4}$ package. The flat on the package indicates the collector lead.

FEATURE

- Steel lead frames for improved reliability in solder mounting
- Good optical-to-mechanical alignment
- Narrow reception angle
- Plastic package is infrared transparent black to attenuate visible light
- Mechanically and spectrally matched to the QED123/222 LED
- Black plastic body allows easy recognition from LED
- Low cost